

# **ILLUSTRATED PARTS LIST**

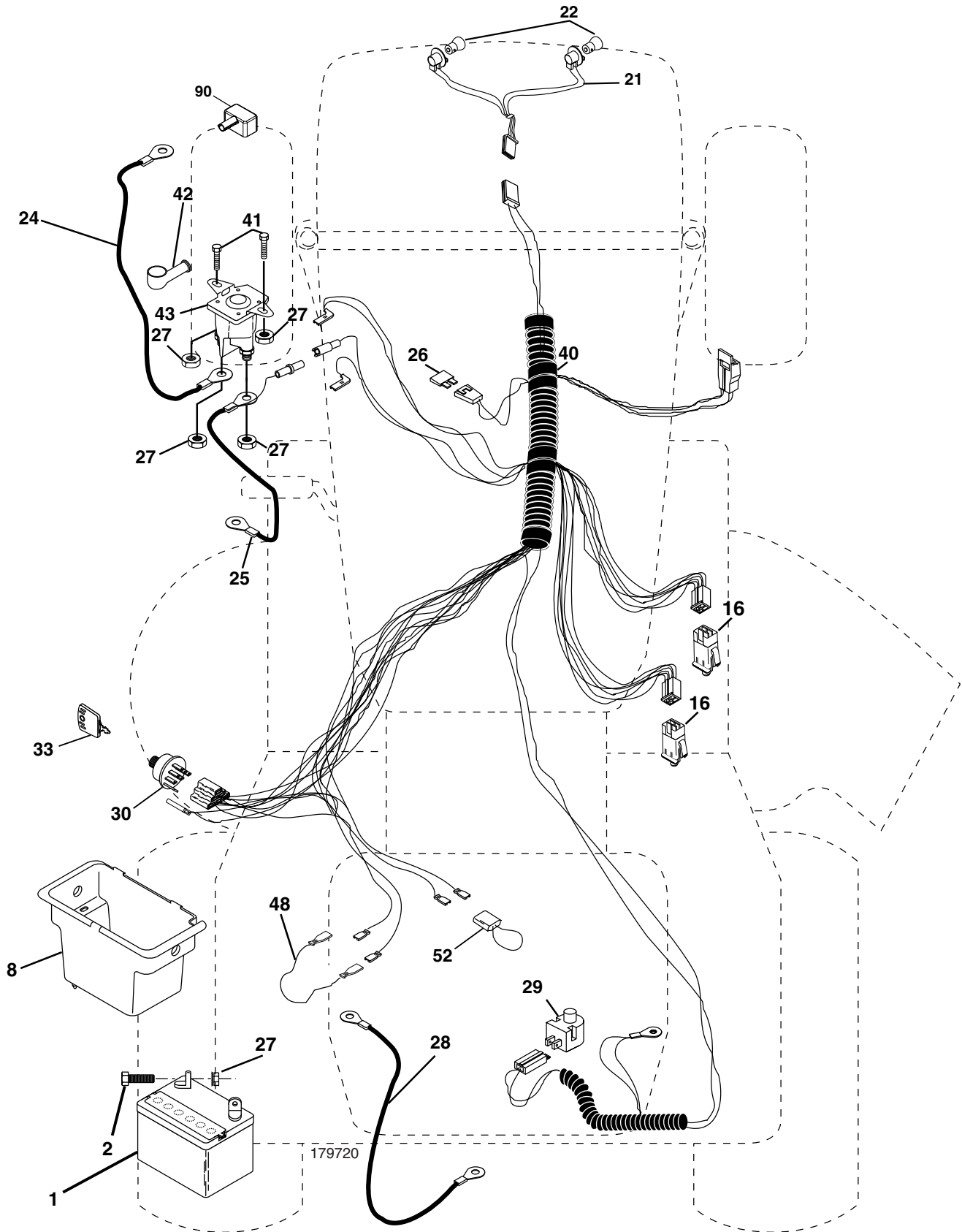
**MFG ID NO. 96011004602**

**CUSTOMER CATALOG NO. P12107H**

**PRODUCT NO. 960 11 00-46**

# REPAIR PARTS

TRACTOR - - MODEL NUMBER P12107H (96011004602), PRODUCT NO. 960 11 00-46  
ELECTRICAL



# REPAIR PARTS

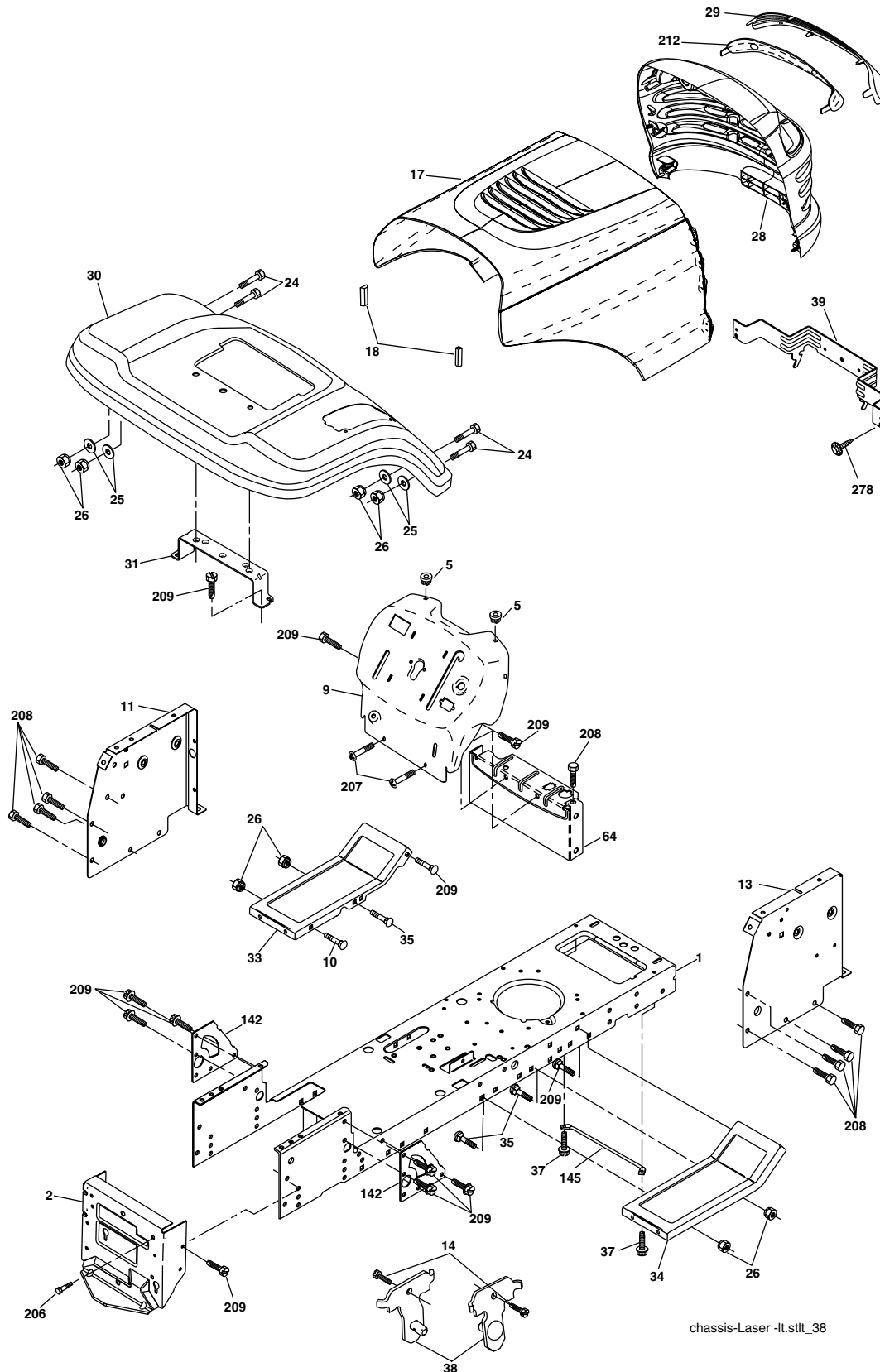
TRACTOR - - MODEL NUMBER P12107H (96011004602), PRODUCT NO. 960 11 00-46  
ELECTRICAL

KEY NO.	PART NO.	DESCRIPTION
1	532 16 34-65	Battery 12 Volt 25 Amp
2	874 76 04-12	Bolt Hex Hd 1/4-20 unc x 3/4
8	532 17 66-89	Case Battery Mech Hiinge
16	532 17 61-38	Switch Interlock Push-In
21	532 18 37-59	Harness Asm Light W/4152j
22	532 00 41-52	Bulb Light #1156
24	532 12 47-80	Cable Battery 6 Ga. 11"red
25	532 14 61-47	Cable Battery
26	532 17 51-58	Fuse
27	873 51 04-00	Nut Keps Hex 1/4-20 Unc
28	532 12 47-73	Cable Ground 6 Ga 12"black
29	532 12 13-05	Switch Plunger Nc Gray
30	532 17 55-66	Switch Ign
33	532 14 04-01	Key Ign
40	532 17 97-20	Harness Ign
41	871 11 04-08	Bolt Blk Fin Hex 1/4-20
42	532 13 15-63	Cover Terminal Red
43	532 17 88-61	Solenoid
48	532 14 08-44	Adapter Ammeter
52	532 14 19-40	Protection Wire Loop
90	532 18 04-49	Cover Terminal Battery

**NOTE:** All component dimensions given in U. S.  
inches 1 inch = 25.4 mm.

# REPAIR PARTS

TRACTOR - - MODEL NUMBER P12107H (96011004602), PRODUCT NO. 960 11 00-46  
CHASSIS



chassis-Laser -It.stlIt\_38

# REPAIR PARTS

TRACTOR - - MODEL NUMBER P12107H (96011004602), PRODUCT NO. 960 11 00-46  
CHASSIS

KEY NO.	PART NO.	DESCRIPTION
1	532 17 46-19	Chassis
2	532 17 65-54	Drawbar
5	532 15 52-72	Bumper Hood Dash
9	532 19 48-22	Dash
10	872 14 06-08	Bolt Rdhd Sqnk 3/8-16unc x 1
11	532 17 49-96	Panel Dash LH
13	532 18 69-52	Panel Dash RH
14	817 49 06-08	Screw Thdrol 3/8-16 x 1/2
17	532 18 58-47	Hood
18	532 18 49-21	Bumper Hood
24	874 78 06-16	Bolt Fin Hex 3/8-16unc x 1 Gr. 5
25	819 13 13-12	Washer 13/32 x 13/16 x 12 Ga.
26	873 80 06-00	Nut Lock Hex w/Ins 3/8-16 unc
28	532 18 35-51	Grille/Lens Asm (Includes Key #'s 29, 212)
29	532 18 58-46	Lens Grille
30	532 19 48-33	Fender
31	532 13 66-19	Bracket Fender Repl 109873x
33	532 18 30-81	Footrest Pnt LH
34	532 18 30-80	Footrest Pnt RH
35	872 11 06-06	Bolt Rdhd Sht Sqnk 3/8-16 X3/4
37	817 49 05-08	Screw Thdrol 5/16-18 x 1/2 Tyt
38	532 17 57-10	Bracket Asm Pivot Mower Rear
39	532 17 47-14	Bracket Pivot Laser
64	532 15 47-98	Dash Lower STLT
142	532 17 57-02	Plate Reinforcement STLT
145	532 15 65-24	Rod Pivot Chassis/Hood
206	532 17 01-65	Bolt Shoulder 5/16-18
207	817 67 05-08	Screw Thdrol 5/16-18 x 1/2
208	817 67 06-08	Screw Thdrol 3/8-16 x 1/2
209	817 00 06-12	Screw Hex Wsh Thdr 3/8-16 x 3/4
212	532 18 35-50	Insert Lens Reflective
278	532 19 16-11	Screw 10 x 3/4 Single Lead Hex
--	532 19 39-35	Plug Switch Light
--	532 00 54-79	Plug Button

**NOTE:** All component dimensions given in U.S. inches  
1 inch = 25.4 mm.



# REPAIR PARTS

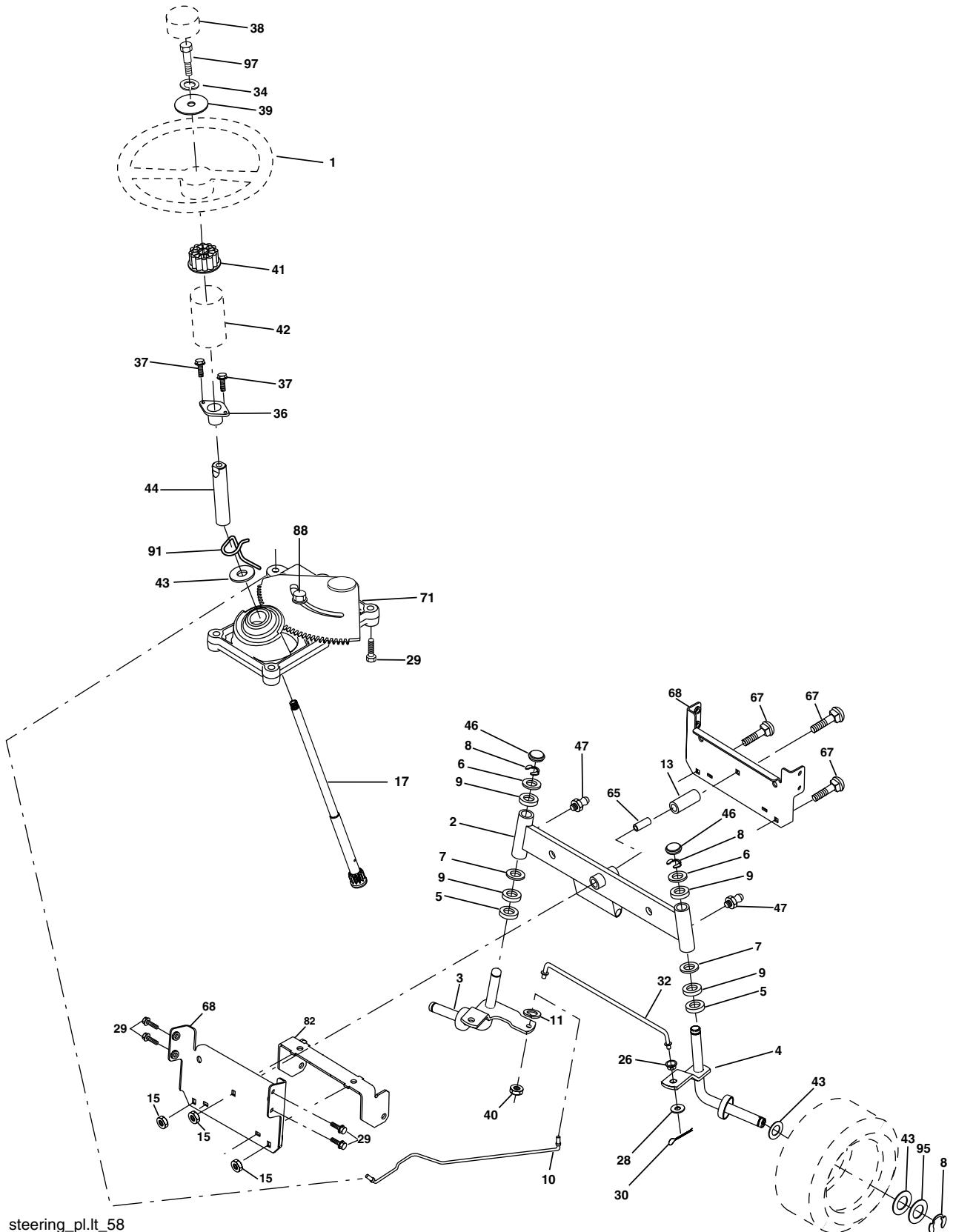
TRACTOR - - MODEL NUMBER P12107H (96011004602), PRODUCT NO. 960 11 00-46  
DRIVE

KEY NO.	PART NO.	DESCRIPTION	KEY NO.	PART NO.	DESCRIPTION
1	-----	Transaxle Hydro Gr 322-0510 (Order parts from transaxle manufacturer)	70	532 18 02-18	Guide Belt Mower Drive RH
8	532 19 27-06	Rod Shift Fender	71	532 16 91-83	Strap Torque Lh Hydro
10	876 02 04-16	Pin Cotter 1/8 x 1 CAD	73	532 16 91-82	Strap Torque Rh Hydro
14	810 04 04-00	Washer Lock Hvy Helical 1/4	74	532 13 70-57	Spacer, Axle
15	874 49 05-44	Bolt Hex Flg Hd 5/16-18 x Gr.5	75	532 12 17-49	Washer 25/32 x 1-1/4 x 16 Gauge
16	873 80 05-00	Nut Lock Hex W/Ins. 5/16-18 unc P	76	812 00 00-01	E-Ring
19	873 80 06-00	Nut Lock Hex W/Wsh 3/8-16 unc	77	532 12 35-83	Key, Square
21	532 10 69-33	Nob	78	532 12 17-48	Washer 25/32 x 1-5/8 x 16 Gauge
22	532 16 94-98	Rod, Brake Hydro	81	532 16 55-96	Shaft Asm. Cross Hydro
24	873 35 06-00	Nut	82	532 16 57-11	Spring Torsion T/A
25	532 10 68-88	Spring, Brake Rod	83	819 17 12-16	Washer 17/32 x 3/4 x 16 Ga.
26	819 13 13-16	Washer	84	532 16 98-43	Link Transaxle
27	876 02 04-12	Pin Cotter 1/8 x 3/4 CAD.	89	532 19 49-72	Console, Shift
28	532 17 57-65	Rod, Parking Brake	95	532 17 02-01	Control Asm Bypass Hydro
29	532 07 16-73	Cap, Parking Brake	96	532 12 47-88	Retainer Spring 1" Zinc/Cad
30	532 17 49-73	Bracket, Transaxle	103	873 94 08-00	Nut Hex Jam Toplock 1/2-20 unf
32	874 76 05-12	Bolt Hex Hd 5/16-18 unc x 3/4	112	819 09 12-10	Washer 9/32 x 3/4 x 10 Ga.
34	532 17 55-78	Shaft, Foot Pedal	116	872 14 06-08	Bolt 3/8-16 Unc x 1
35	532 12 01-83	Bearing, Nylon	120	873 90 06-00	Nut Lock 3/8-16 Unc
36	819 21 16-16	Washer	150	532 17 54-56	Spacer Retainer
37	532 12 49-63	Pin, Roll	151	819 13 32-10	Washer 13/32 x 2 x 10 Ga.
38	532 17 91-14	Pulley, Idler, Composite	156	532 16 60-02	Washer Srrtd 5/16 ID x 1.0 x .125 Tk
39	872 11 06-22	Bolt RDHD 3/8-16 unc x 2-3/4 Gr. 5	158	532 16 55-89	Bracket Shift Mount
41	532 17 55-56	Keeper, Belt Idler	159	532 18 39-00	Hub Tapered Flange Shift LT
47	532 12 77-83	Pulley, Idler, V-Groove	161	872 14 04-06	Bolt Rdhd Sqnk 1/4-20 x 3/4 Gr. 5
48	532 15 44-07	Bellcrank Clutch Grnd Drv Stl	162	873 68 04-00	Nut Crownlock 1/4-20 Unc
49	532 12 32-05	Retainer, Belt	163	874 78 04-16	Bolt Hex Fin 1/4-20 unc x 1 Gr. 5
50	872 11 06-12	Bolt Carr. Sh 3/8-16 x 1-1/2 Gr. 5	165	532 16 56-23	Bracket Pivot Lever
51	873 68 06-00	Nut Crownlock 3/8-16	166	817 49 05-10	Screw 5/16-18 x 5/8
52	873 68 05-00	Nut Crownlock 5/16-18	168	532 16 54-92	Bolt Shoulder 5/16-18 x .561 TT
53	532 10 57-10	Link, Clutch	169	532 16 55-80	Plate Fastening
55	532 10 57-09	Spring, Return, Clutch	197	532 16 96-13	Nyliner Snap-In 5/8" ID
56	874 76 06-20	Bolt Fin Hex 3/8-16 unc x 1-1/4	198	532 16 95-93	Washer Nyl 7/8 ID x .105 HYD CRD
57	532 14 02-94	V-Belt, Ground Drive	199	532 16 96-12	Bolt Shoulder 5/16-18 unc
59	532 16 96-91	Keeper, Center Span	200	872 14 05-08	Bolt Rdhd Sqnk 5/16-18 unc x 1
61	817 12 06-14	Screw 3/8-16 x .875	202	872 11 06-14	Bolt Carr Sh 3/8-16 x 1-3/4 Gr. 5
62	532 12 48-72	Cover, Pedal	205	819 17 16-16	Washer 17/32 x 1 x 16 Ga.
63	532 18 02-19	Pulley, Eng	212	532 14 52-12	Nut Hexflange Lock
64	532 17 39-37	Bolt Hex 7/16-20 x 4 Gr. 5 - 1.5 THR	263	817 00 06-12	Screw Hex Wsh Thdr. 3/8-16 x 3
65	810 04 07-00	Washer	268	532 18 24-02	Guard Muffler RH
66	532 15 47-78	Keeper Belt Engine	275	819 13 16-14	Washer 13/32 x 1 x 14 Ga.
69	532 14 24-32	Screw Hex Wsh 1/4-1/2 unc			

**NOTE:** All component dimensions given in U.S. inches  
1 inch = 25.4 mm

# REPAIR PARTS

TRACTOR - - MODEL NUMBER P12107H (96011004602), PRODUCT NO. 960 11 00-46  
STEERING



steering\_pl.it\_58



# REPAIR PARTS

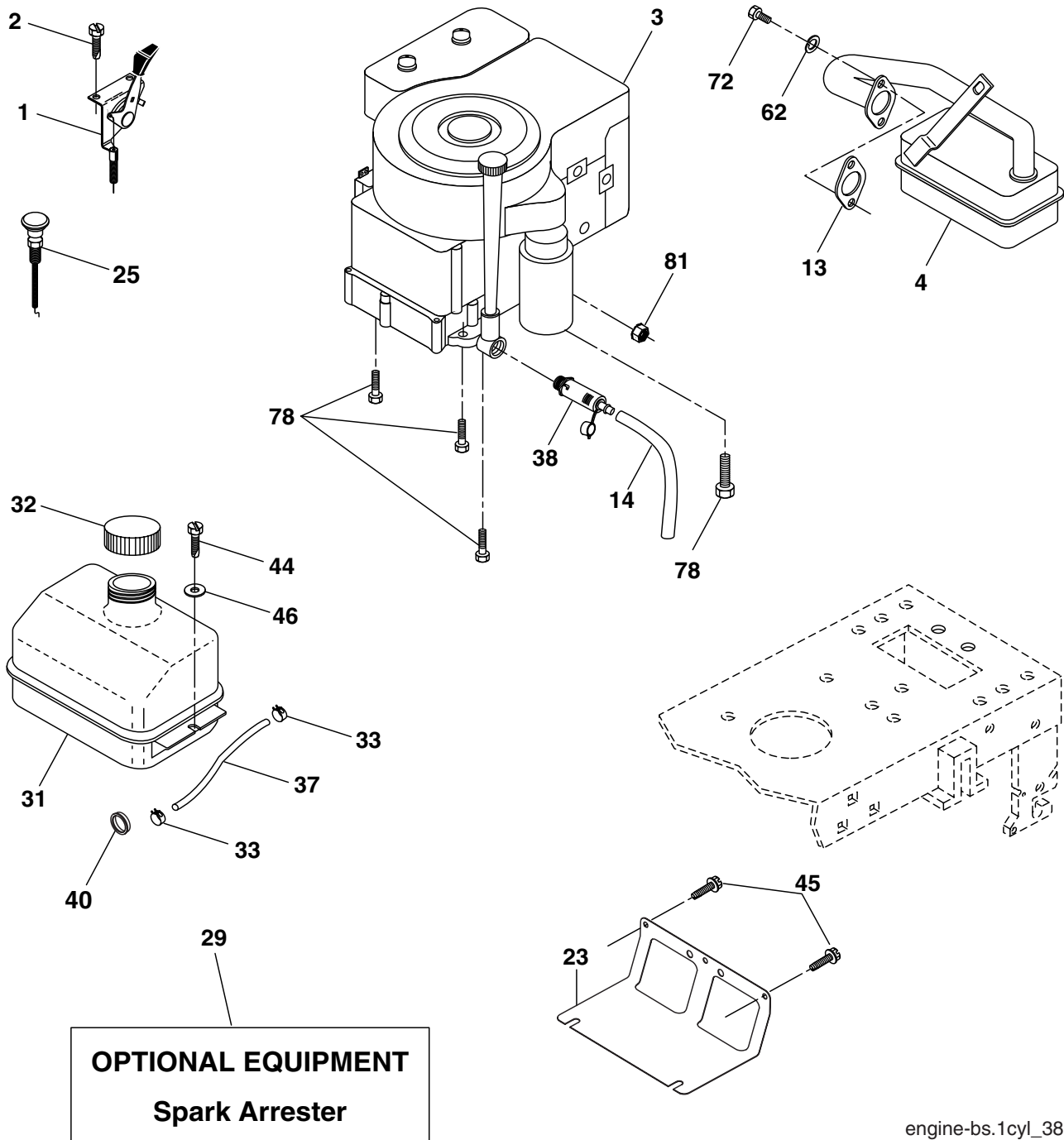
TRACTOR - - MODEL NUMBER P12107H (96011004602), PRODUCT NO. 960 11 00-46  
STEERING

KEY NO.	PART NO.	DESCRIPTION
1	532 18 67-80	Wheel Steering
2	532 17 51-31	Axle Asm Fr
3	532 16 98-40	Spindle Asm LH
4	532 16 98-39	Spindle Asm RH
5	532 12 49-31	Bearing Race Thrust Harden
6	532 12 17-48	Washer 25/32 x 1-5/8 x 16 Ga.
7	819 27 20-16	Washer 27/32 x 1-1/4 x 16 Ga.
8	812 00 00-29	Ring Klip #t5304-75
9	532 12 49-37	Bearing Col Strg Blk
10	532 17 51-21	Link Drag
11	810 04 06-00	Washer Lock Hvy Hlcl Spr 3/8
13	532 13 65-18	Spacer Brace Axle
15	532 14 52-12	Nut Hexflange Lock
17	532 19 07-53	Shaft Asm Strg
26	532 12 68-47	Bushing Link Drag Blk LR
28	819 13 14-16	Washer 13/32 x 7/8 x 16 Ga.
29	817 00 06-12	Screw 3/8-16 x .75
30	876 02 04-12	Pin Cotter 1/8 x 3/4 Cad
32	532 19 27-57	Rod Tie Wire Form
34	810 04 05-00	Washer Lock Hvy HLCL Spr. 5/16
36	532 15 50-99	Bushing Strg Nat .623/.618ld
37	532 15 29-27	Screw TT #10-32 x 5 x 3/8 Flange
38	532 19 29-16	Cap Wheel Steer P/L
39	819 11 38-12	Washer 11/32 ID x 2-3/8 OD x 12 Ga.
40	873 54 06-00	Nut Crownlock 3/8-24
41	532 18 67-37	Adaptor Wheel Strg
42	532 16 96-33	Boot Shaft Steering
43	532 12 17-49	Washer 25/32 x 1 1/4 x 16 Ga.
44	532 19 07-52	Extension Steering
46	532 12 12-32	Cap Spindle Fr Top Blk
47	532 18 32-26	Fitting Grease
65	532 16 03-67	Spacer Brace Axle
67	872 11 06-18	Bolt RDHD SQ 3/8-16 unc x 2-1/4
68	532 16 98-27	Brace Axle
71	532 17 51-46	Steering Asm.
82	532 16 98-35	Bracket Susp. Chassis Front
88	532 17 51-18	Bolt Shoulder 7/16-20
91	532 17 55-53	Clip Steering
95	532 18 89-67	Washer Harden .793 x 1.637 x 060
97	874 78 05-64	Bolt 5/16-18 UNC x 4" L Gr. 5

**NOTE:** All component dimensions given in U.S. inches  
1 inch = 25.4 mm.

# REPAIR PARTS

TRACTOR - - MODEL NUMBER P12107H (96011004602), PRODUCT NO. 960 11 00-46  
ENGINE



engine-bs.1cyl\_38

# REPAIR PARTS

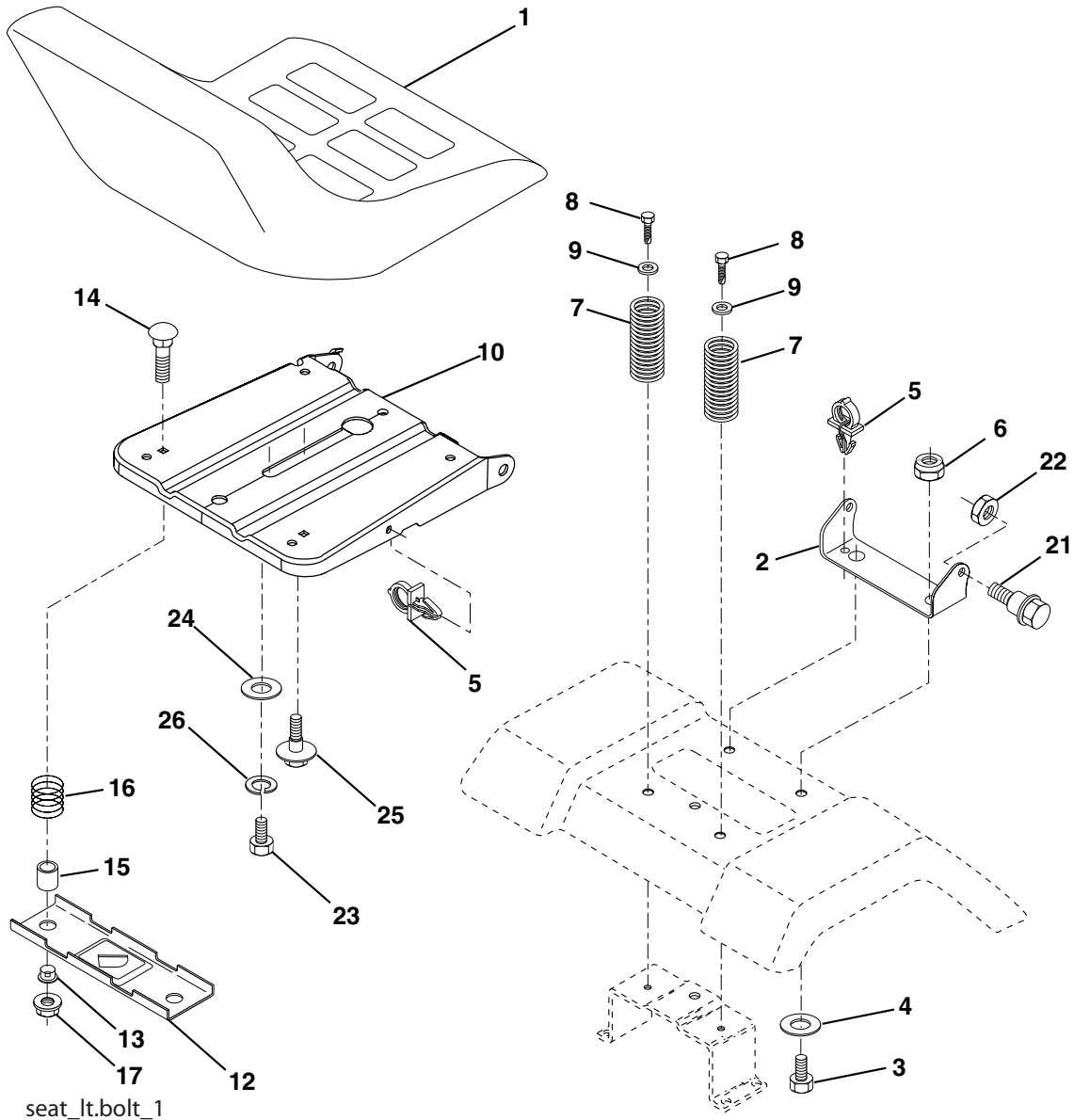
TRACTOR - - MODEL NUMBER P12107H (96011004602), PRODUCT NO. 960 11 00-46  
ENGINE

KEY NO.	PART NO.	DESCRIPTION
1	532 17 05-51	Control Throttle Flag Eec
2	817 72 04-08	Screw Hex Thd Cut 1/4-20 x 1/2
3	-----	Engine Briggs & Stratton 219707 (Order parts from engine manufacturer)
4	532 17 97-58	Muffler LT B&S 12/12 5 HP
13	532 16 52-91	Gasket Eng
14	532 14 84-56	Tube Drain Oil Easy
23	532 16 98-37	Shield Brn/Dbr Guard
25	532 19 06-95	Control Choke
29	532 13 71-80	Kit Spark Arrecter
31	532 18 77-50	Tank Fuel Front 1.25
32	532 14 05-27	Cap Asm Fuel W/sym Vented
33	532 12 34-87	Clamp Hose Blk
37	532 13 70-40	Line Fuel 20"
38	532 18 16-54	Plug Drain Oil Easy
40	532 12 40-28	Bushing Snap Nyl Blk Fuel Line
44	817 67 04-12	Screw Hexwsh Thdrol 1/4-20 x 3/4
45	817 00 06-12	Screw Hexwsh Thdrol 3/8-16 x 3/4
46	819 09 14-16	Washer 9/32 x 7/8 x 16 Ga.
62	810 04 05-00	Washer Lock Hvy HLCL Spr. 5/16
72	871 07 05-12	Screw Hex Hd Cap 5/16-18 x 3/4
78	817 06 06-20	Screw 3/8-16 x 1-1/4
81	873 51 04-00	Nut Keps Hex 1/4-20 unc

**NOTE:** All component dimensions given in U.S. inches  
1 inch = 25.4 mm

# REPAIR PARTS

TRACTOR - - MODEL NUMBER P12107H (96011004602), PRODUCT NO. 960 11 00-46  
SEAT



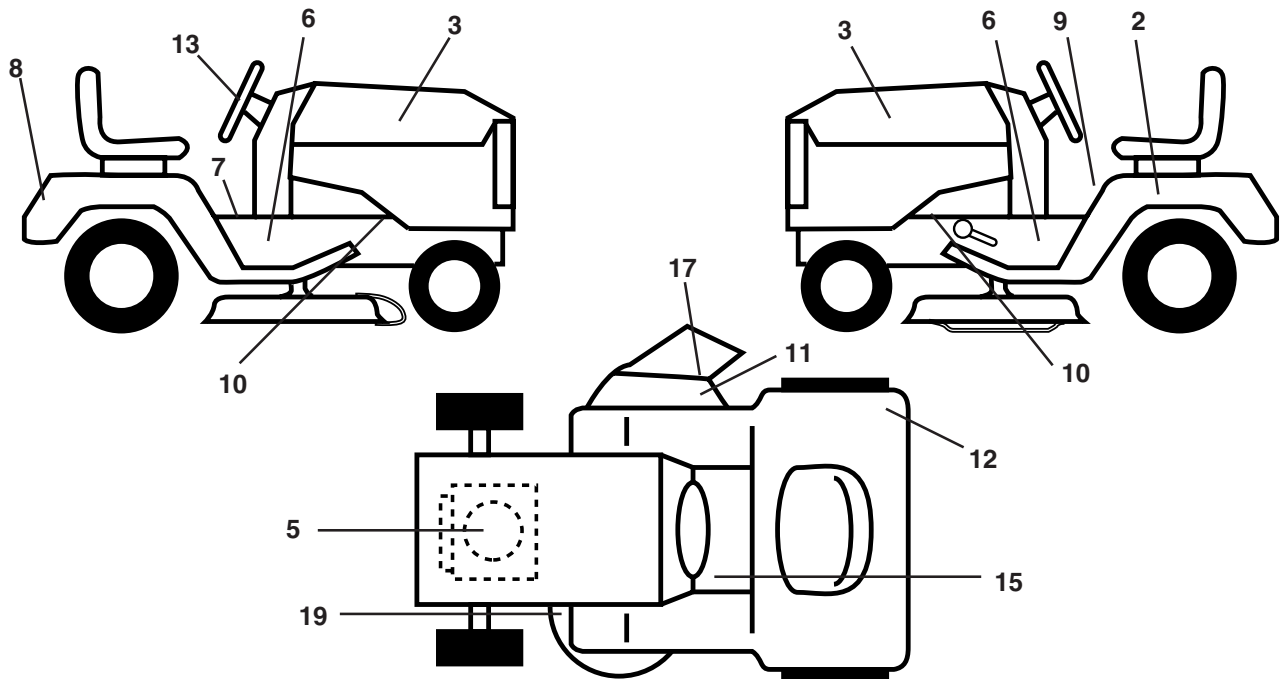
KEY NO.	PART NO.	DESCRIPTION
1	532 17 53-89	Seat
2	532 14 05-51	Bracket Pivot
3	871 11 06-16	Bolt Fin Hex 3/8-16 unc x 1
4	819 13 16-10	Washer 13/32 x 1 x 10 Ga.
5	532 14 50-06	Clip Push-In
6	873 80 06-00	Nut Lock Hex w/Wsh 3/8-16 unc
7	532 12 41-81	Spring Seat Cprsn 2 250 Blk Zi
8	817 00 06-16	Screw 3/8-16 x 1.5
9	819 13 16-14	Washer 13/32 x 1 x 14 Ga.
10	532 18 24-93	Pan Seat
12	532 12 12-46	Bracket Mounting Switch
13	532 12 12-48	Bushing Snap Blk Nyl 50 Id

KEY NO.	PART NO.	DESCRIPTION
14	872 05 04-12	Bolt Rdhd Sht Nk 1/4-20 x 1-1/2
15	532 13 43-00	Spacer Split 28x 96 Yel Zinc
16	532 12 12-50	Spring Cprsn 1 27 Blk Pnt
17	532 12 39-76	Nut Lock 1/4 Lge Flg Gr. 5 Zinc
21	532 17 18-52	Bolt Shoulder 5/16-18 Unc -2A
22	873 80 05-00	Nut Lock Hex W/Insert 5/16-18 unc
23	871 11 08-14	Bolt Hex Black
24	819 17 19-12	Washer 17/32 x 1-3/16 x 12 Ga.
25	532 12 70-18	Bolt Shoulder 5/16-18 x 62
26	810 04 08-00	Washer Lock Hvy HLCLSPR 1/2

**NOTE:** All component dimensions given in U.S. inches.  
1 inch = 25.4 mm

# REPAIR PARTS

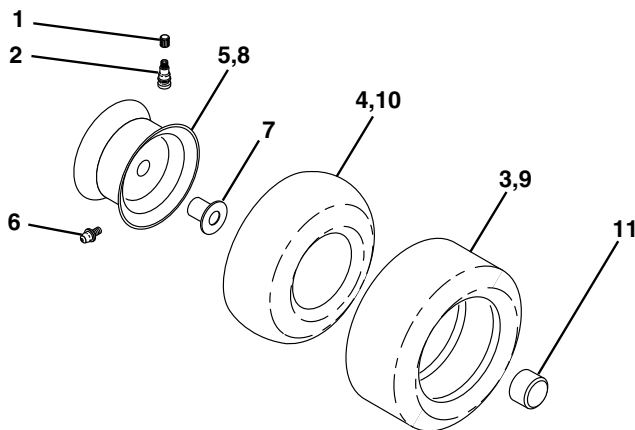
TRACTOR -- MODEL NUMBER P12107H (96011004602), PRODUCT NO. 960 11 00-46  
DECALS



KEY NO.	PART NO.	DESCRIPTION
2	532 14 50-05	Decal Bat Dan/Poi P/L Symbols
3	532 18 56-46	Decal Hood
5	532 18 48-55	Decal Engine
6	532 18 56-51	Decal Chas. Turbo Collection
7	532 14 08-37	Decal Saddle Brake Parking
8	532 18 99-16	Decal Fender
9	532 14 54-98	Decal Read Owners Manual Syms
10	532 15 97-36	Decal Chassis Hot Muffler
11	532 18 21-66	Decal Mower Cut finger Symbol
12	532 18 04-32	Decal 100 Db/CE

KEY NO.	PART NO.	DESCRIPTION
13	532 18 56-47	Decal Strg Wheel Cap
15	532 15 97-37	Decal Brake/Clutch
17	532 17 91-28	Decal Deck "B"
19	532 16 03-96	Decal V-Belt Sch
--	532 16 25-98	Decal Drawbar Load Limit
--	532 13 83-11	Decal Lift Handle (Lift Handle)
--	532 16 69-60	Decal Bypass
--	532 19 44-32	Manual Operator's Euro
--	532 19 44-33	Manual Operator's Scan

## WHEELS & TIRES

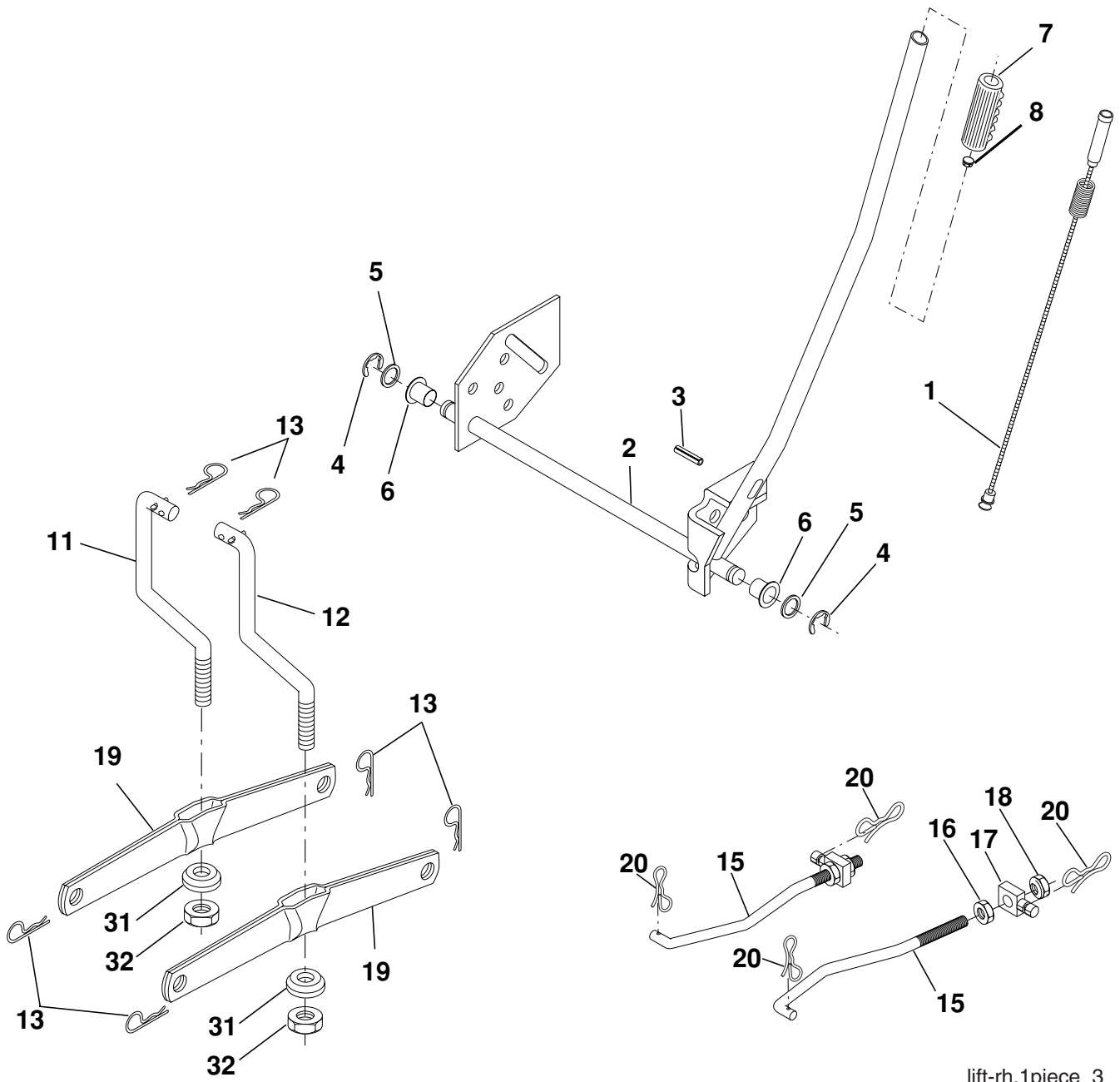


KEY NO.	PART NO.	DESCRIPTION
1	532 05 91-92	Cap Valve Tire
2	532 06 51-39	Stem Valve
3	532 12 41-57	Tire F Ts 15 X 6 0 - 6 Service
4	532 05 99-04	Tube Front (Service Item Only)
5	532 12 51-21	Rim Asm 6" front Yellow Service
6	532 12 49-57	Fitting Grease (Front Wheel Only)
7	532 12 49-59	Bearing Flange (Front Wheel Only)
8	532 12 51-22	Rim Asm 8" rear Yellow Service
9	532 12 39-69	Tire R Ts 18 x 8.5-8 C. Service
10	532 12 49-26	Tube Rear (Service Item Only)
11	532 17 50-39	Cap Axle Blk 1 50 X 1 00

**NOTE:** All component dimensions given in U.S. inches  
1 inch = 25.4 mm

# REPAIR PARTS

TRACTOR - - MODEL NUMBER P12107H (96011004602), PRODUCT NO. 960 11 00-46  
MOWER LIFT



lift-rh.1piece\_3

# REPAIR PARTS

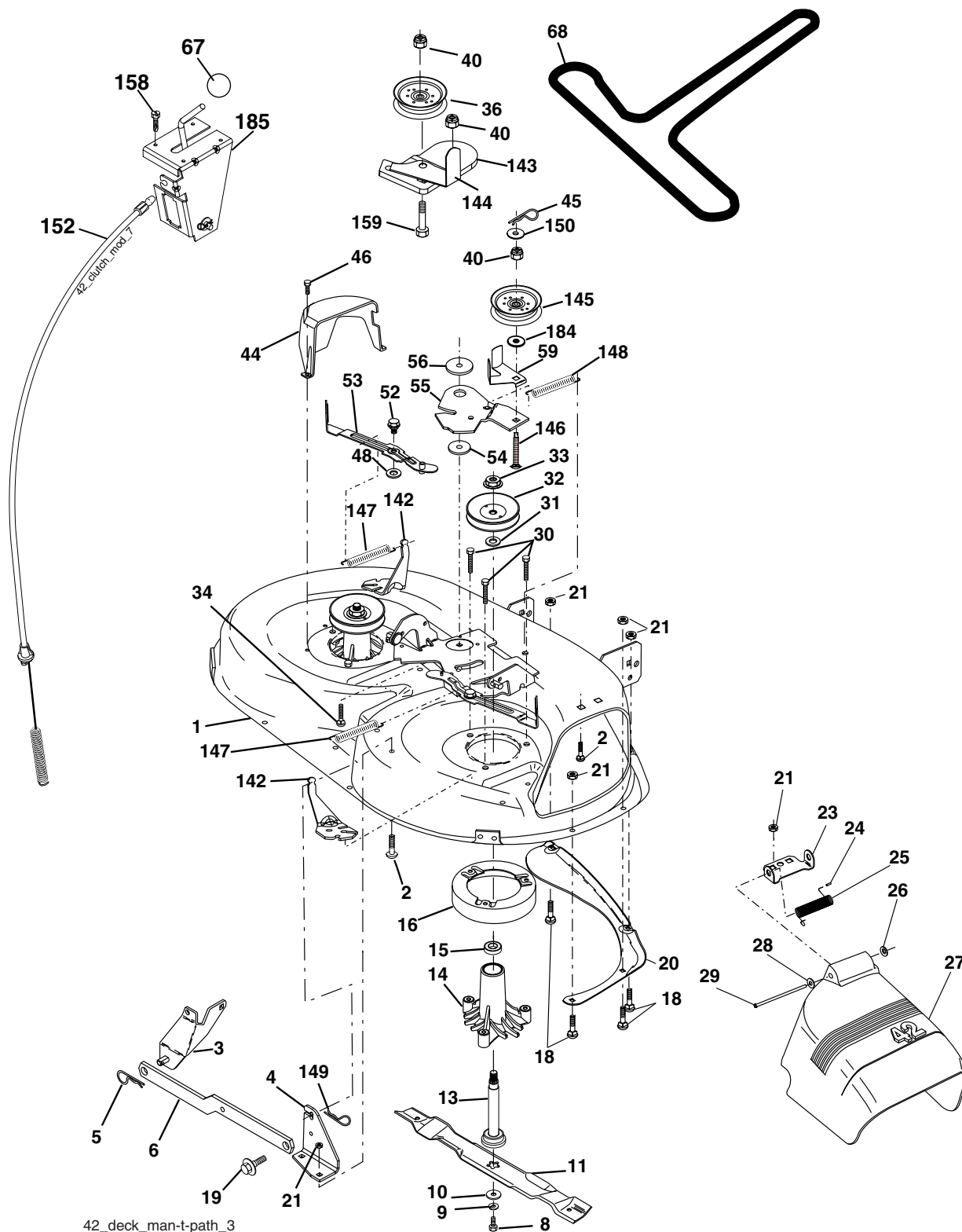
TRACTOR - - MODEL NUMBER P12107H (96011004602), PRODUCT NO. 960 11 00-46  
MOWER LIFT

KEY NO.	PART NO.	DESCRIPTION
1	<b>532 19 84-17</b>	Wire Asm Inner W/Plunger
2	<b>532 19 80-70</b>	Shaft Asm Lift
3	532 18 88-22	Pin Groove
4	812 00 00-02	E Ring #5133-62
5	819 21 16-21	Washer PLTD 21/32 x 1 x 21Ga.
6	532 12 01-83	Bearing Nylon Blk 629 Id
7	532 10 94-13	Grip Handle Bicycle Matte Blk
8	532 12 45-26	Button Plunger Black
11	532 13 98-65	Link Lift LH
12	532 13 98-66	Link Lift RH
13	532 12 46-70	Retainer Spring
15	532 17 32-88	Link Front
16	873 35 08-00	Nut Jam Hex 1/2-13 unc
17	532 17 56-89	Trunnion
18	873 80 08-00	Nut Lock w/wsh 1/2-13 unc
19	532 13 98-68	Arm Suspension Rear
20	<b>532 19 42-09</b>	Pin Cotter 7/16 Bow Tie Lock
31	532 16 98-65	Bearing Pvt Lift
32	873 54 06-00	Nut Crownlock 3/8-24

**NOTE:** All component dimensions given in U.S. inches  
1 inch = 25.4 mm

# REPAIR PARTS

TRACTOR - - MODEL NUMBER P12107H (96011004602), PRODUCT NO. 960 11 00-46  
MOWER DECK





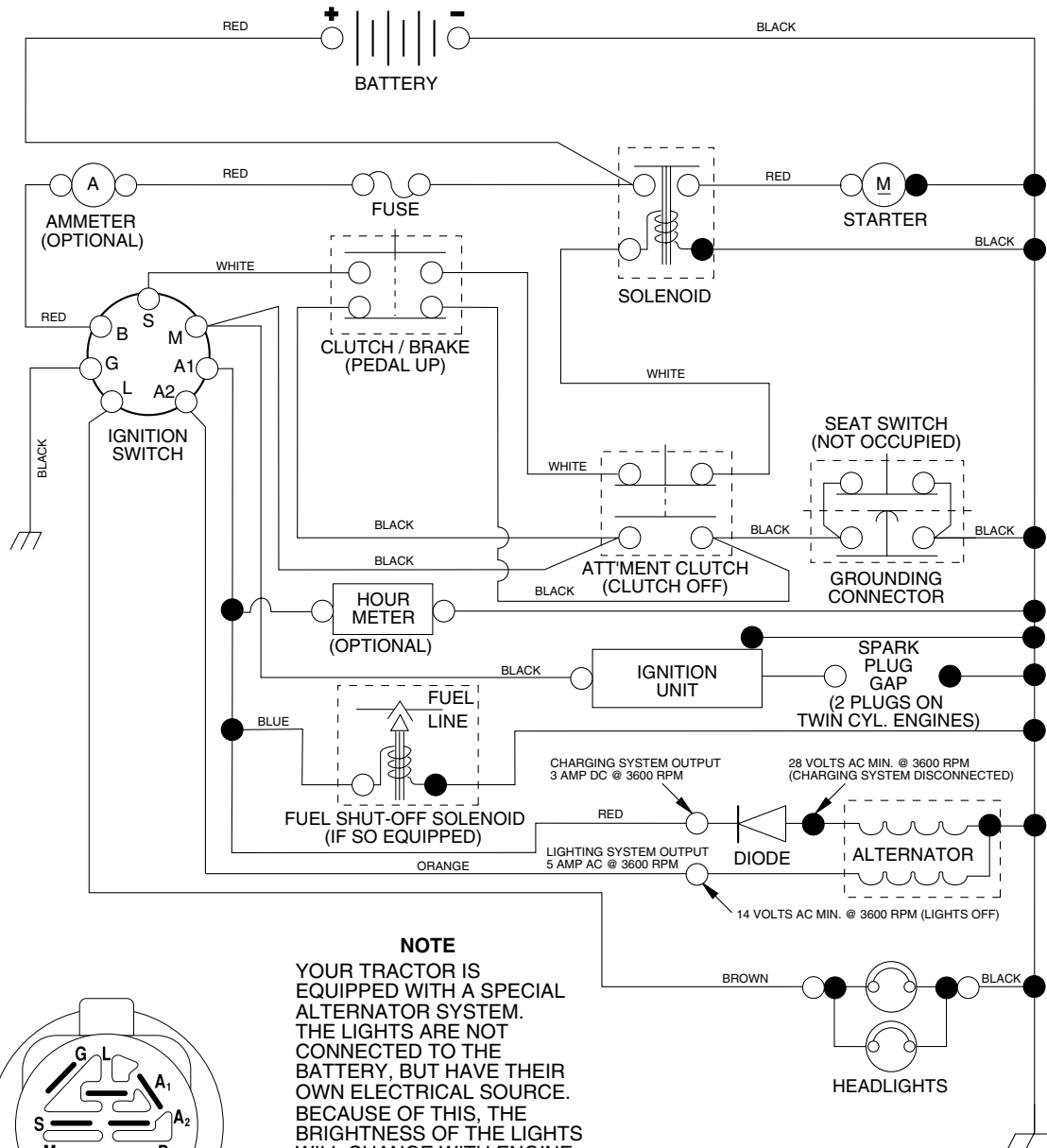
# REPAIR PARTS

TRACTOR - - MODEL NUMBER P12107H (96011004602), PRODUCT NO. 960 11 00-46  
MOWER DECK

KEY NO.	PART NO.	DESCRIPTION	KEY NO.	PART NO.	DESCRIPTION
1	532 16 58-92	Housing Asm Mower 42" T-Path	45	532 12 47-88	Spring Retainer 1" Zinc/cad
2	872 14 05-06	Bolt Rdhd Sqnk 5/16-18unc x3/4	46	532 13 77-29	Screw Hex Thd Cut 1/4-20x5/8 T
3	532 13 80-17	Bracket Asm Fr Sway Bar 38/42	48	532 13 39-44	Washer Hardened Smaller
4	532 16 54-60	Bracket Asm Deck 42" sway Bar	52	532 13 98-88	Bolt Shoulder 5/16-18 Unc Blkz
5	532 12 46-70	Retainer Spring	53	532 18 49-07	Arm Asm Pad Brake
6	532 17 80-24	Bar Sway Deck	54	532 17 85-15	Washer Hardened
8	532 85 08-57	Bolt 3/8 - 24 x 1.25 Gr. 8	55	532 15 50-46	Arm Idler 42" mower LT/YT
9	810 03 06-00	Washer Lock Hvy 3/8 Unplated	56	532 16 57-23	Spacer Retainer Pm Mower
10	532 14 02-96	Washer Hard Blade Mower	59	532 14 10-43	Guard TUV Idler
11	532 13 89-71	Blade Mower	67	532 10 69-32	Knob Rd 3/8-16 Plstc Thds Blk
13	532 13 76-45	Shaft Asm W/Lower Bearing	68	532 18 02-15	V-Belt Mower
14	532 12 87-74	Housing Mandrel Vented (Machd)	142	532 16 58-90	Arm Spring Brake Mower
15	532 11 04-85	Bearing Ball Mandrel	143	532 15 71-09	Bracket Arm Idler 42"
16	532 17 44-93	Stripper Round Mower	144	532 15 86-34	Keeper Belt 42" Clutch Cable
18	872 14 05-05	Bolt Carr 5/16-18 x 5/8	145	532 16 58-88	Pulley Idler Flat
19	532 13 28-27	Bolt Shoulder	146	532 17 19-77	Bolt Carriage Idler
20	532 15 97-70	Baffle Vortex 42"	147	532 17 97-48	Spring Extension
21	873 68 05-00	Nut Crown Lock 5/16-18	148	532 16 90-22	Spring Return Idler
23	532 17 75-63	Bracket Deflector Mower 42"	149	532 16 58-98	Retainer Spring Yellow
24	532 10 53-04	Cap Sleeve 80 x 112 Blk Mower	150	819 09 12-10	Washer 9/32 x 3/4 x 10 Ga.
25	532 12 37-13	Spring Torsion Deflector 2 52	152	532 18 15-55	Clutch Cable 42"
26	532 11 04-52	Nut Push Phos & Oil	158	817 72 04-08	Screw Hex Thd Cut 1/4-20 x 1/2
27	532 17 18-59	Shield Deflector Mower 42"	159	872 14 06-14	Bolt Rdhd Sqn 3/8-16 unc x 1-3/4
28	819 11 10-16	Washer 11/32 x 5/8 x 16 Ga.	184	819 13 14-10	Washer 13/32 x 7/8 x 10 Ga.
29	532 13 14-91	Rod Hinge 42" 6 75 Wlg	185	532 18 82-34	Head Asm. Cable Clutch
30	532 17 39-84	Screw Thdrol	--	532 18 19-25	Replacement Mower, Complete
31	532 18 76-90	Washer Spacer	--	532 13 07-94	Mandrel Asm. (Includes Housing, Shaft and Shaft Hardware Only - Pulley Not Included)
32	532 15 35-35	Pulley Mandrel 42/44/50			
33	532 17 83-42	Nut Top Lock Flng			
34	872 11 06-12	Bolt Carr. Sh 3/8-16 x 1-1/2 Gr. 5			
36	532 13 14-94	Pulley Idler Flat 3 060			
40	873 90 06-00	Nut Lock Flg 3/8-16 unc			
44	532 14 00-88	Guard Mandrel LH Black			

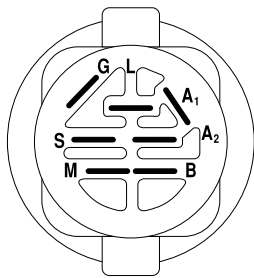
**NOTE:** All component dimensions given in U.S. inches  
1 inch = 25.4 mm

# TRACTOR - - MODEL NUMBER P12107H (96011004602), PRODUCT NO. 960 11 00-46 SCHEMATIC



## NOTE

YOUR TRACTOR IS EQUIPPED WITH A SPECIAL ALTERNATOR SYSTEM. THE LIGHTS ARE NOT CONNECTED TO THE BATTERY, BUT HAVE THEIR OWN ELECTRICAL SOURCE. BECAUSE OF THIS, THE BRIGHTNESS OF THE LIGHTS WILL CHANGE WITH ENGINE SPEED. AT IDLE THE LIGHTS WILL DIM. AS THE ENGINE IS SPEEDED UP, THE LIGHTS WILL BECOME THEIR BRIGHTEST.



IGNITION SWITCH

POSITION	CIRCUIT	"MAKE"
OFF	M+G+A1	NONE
RUN/LIGHT	B+A1	A2+L
RUN	B+A1	NONE
START	B + S + A1	NONE

## WIRING INSULATED CLIPS

**NOTE:** IF WIRING INSULATED CLIPS WERE REMOVED FOR SERVICING OF UNIT, THEY SHOULD BE REPLACED TO PROPERLY SECURE YOUR WIRING.

02363

NON-REMOVABLE CONNECTIONS

REMOVABLE CONNECTIONS